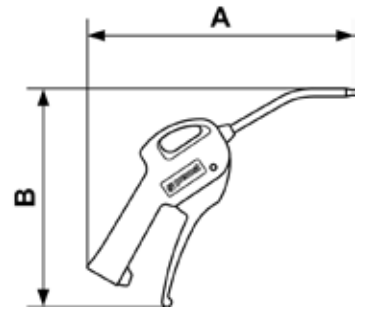


## 27102 BLOW GUNS ON CLIP

Blow gun with metal nozzle



**Max. operating pressure**  
10

**Material**  
Polyamide

Part number	Flow rate at 6 bar (l/min)	Sound level (DBA)	Female thread
27102 MTLP	380	83	G1/4